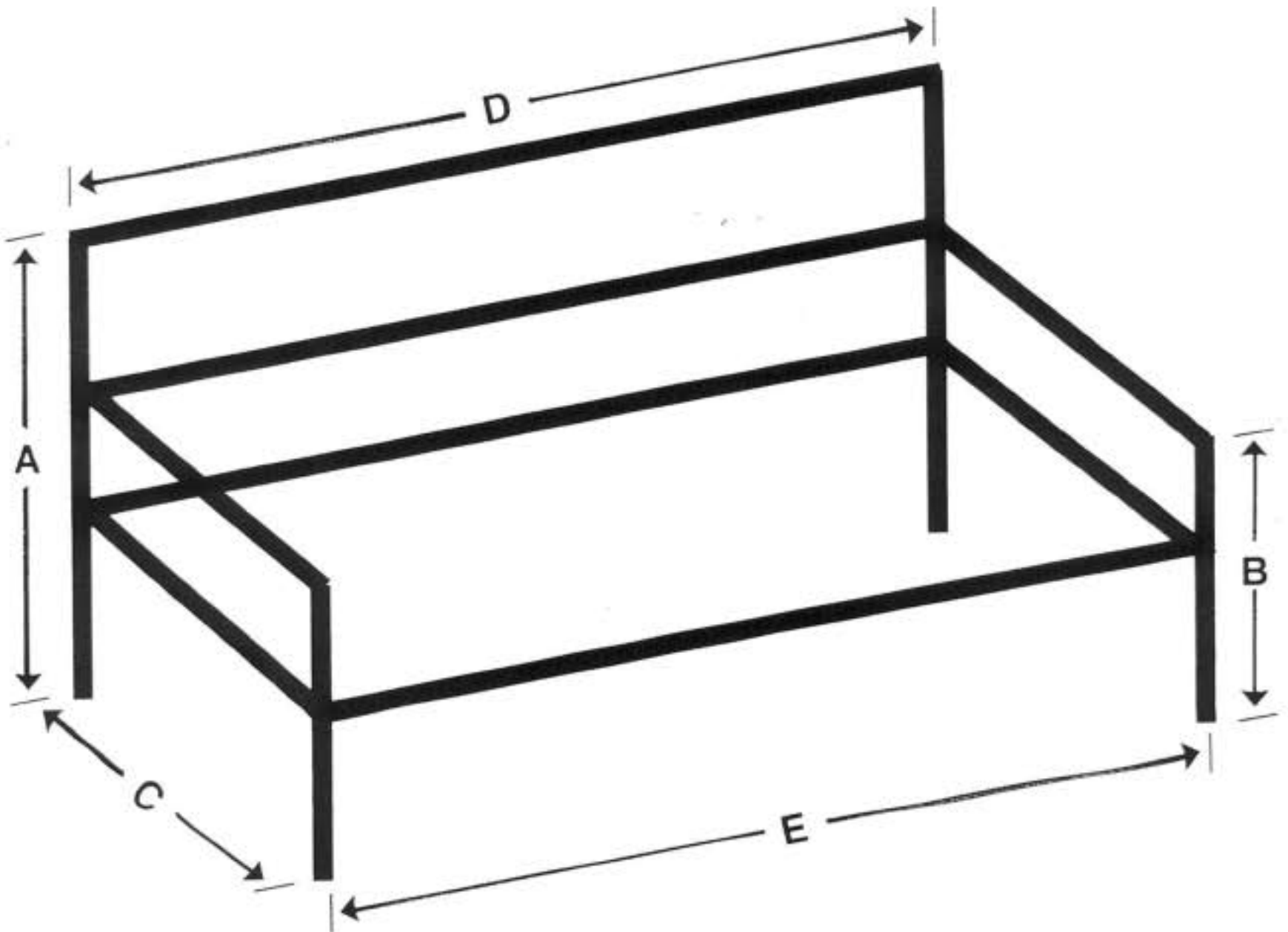


# FURNITURE MEASUREMENT GUIDE

To ensure a proper fit, decide if you will cover the furniture with or without cushions.

- A. Height – Maximum distance from the ground to the tallest point of the frame or cushion.
- B. Arm Height or Seat Height - distance from the ground to the top of the tallest point of the frame or cushion, in front (if different than letter A).
- C. Depth – Maximum length of the frame or cushion from front to back.
- D. Width – Maximum distance of the widest point of the frame or cushion, from side to side.
- E. Front Width – Maximum distance of the widest point of the frame or cushion in front (if different from letter D)



Note:

Every piece of furniture will not have all five dimensions. Always take measurements from the outside edge of an item to determine maximum distance. Please do not submit generic manufacturer's dimensions without double checking your individual items for accuracy and validity. The website displays the dimensions of the furniture and for a proper fit, your specific furniture width & depth dimensions should be equal to or slightly less than the dimensions listed for the corresponding cover. For a proper fit on the overall height, arm height, and / or seat height, furniture dimensions should be equal or as close as possible in either direction to the dimensions listed for the corresponding cover.